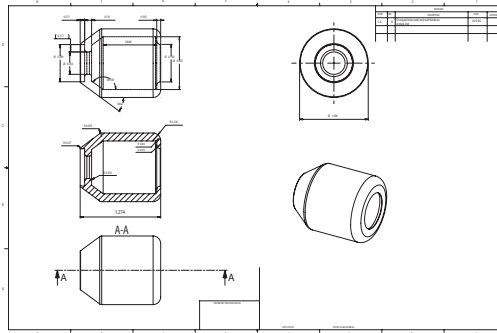


## EEOS CLR01 VIDEO CAMERA



CLR01



The Color Video Camera CLR01 is an NTSC composite video output device for commercial and industrial applications. Applications for viewing a remote area not in a direct line of sight, hazardous, and/or unsafe. Typical applications might be rearview backing camera (s) for heavy trucks and equipment, process control viewing, safety controls, security monitoring in harsh environments, and spotting views for cranes and heavy equipment. This camera will interface directly to VCR, Closed circuit TV, or Monitor with video terminations at 75 Ohms.

### INSTALLATION & INSTRUCTIONS

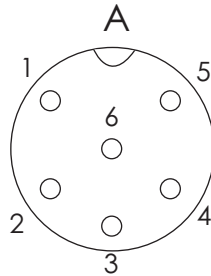
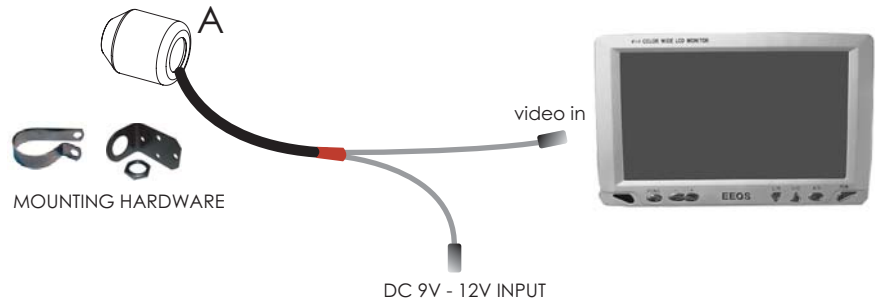
1. It is recommended that you use a 9-12V regulated power supply for best picture and a stable image
2. The camera should be used with cables and equipment that have a standard 75 ohm video impedance.
3. Do not attempt to disassemble the camera to gain access to the internal components. Refer services to the manufacturer.
4. Facing the camera to the sun or any bright light will degrade the video image.

### WARRANTY

*Thank You Purchasing an EEOS product,  
The Employees of EEOS, Inc.*

The CLR01 has a 1 year limited warranty against manufacturing defects. Return to the place of purchase or to EEOS, Inc. for replacement. Warranty does not cover damage due to exceeding specifications, improper connection, installation or de-installation either due to physical or electrical damage to the device or any of its components. EEOS, Inc. assumes no liability or claims for any damage(s) to equipment(s) and/or other equipment CLR01 is attached to directly or remotely or in proximity of. Always Consult your original equipment manufacturer's requirements and specifications before connecting the CLR01.

## STANDARD CONNECTIONS



- |                 |              |
|-----------------|--------------|
| 1 ground shield | 4 Future use |
| 2 9V - 12V DC   | 5 TX data    |
| 3 Video out     | 6 TX clock   |

## PART # AND OPTIONS

Part #	Description
AS-006-00014	cable, adapter CLR to BNC 75 ohm (fm)
AS-006-00013	cable, adapter CLR to RCA 75 ohm (fm)
AS-004-00034	adapter, DC power 9V - 12V
CO-222-00050	clamp, L bracket (black anodized)
CO-222-00051	clamp, stainless P
PR-004-00004	monitor, LCD 5" x 7" NTSC
PR-904-00001	camera video, CLR01 NTSC color
	note: custom cable lengths, mounting, and camera colors are available by special order

### Electrical Equipment & Optical Systems, Inc.

3575 South West Temple, Suite 5  
Salt Lake City, UT 84115  
<http://www.eeosinc.com>

Copyright© 2003 - 2005